

Studio Flash

Operating instructions

D² / HD²

200/400/600/800/1000

CE

Thank you for choosing FOMEX lighting systems





Please read this manual before operating

Contents

- Before use
- Part names
- Part names and function of control panel
- Operating procedure
- Specification
- Replacement and maintenance of lamp
- Troubleshooting


Before use


1. Check the input voltage.
2. Disconnect this unit from the power supply before changing a bulb or a fuse. Use the specified fuse only.
3. Do not use in humid or hazardous places or near inflammable materials.
4. For safety, please power OFF when not in use.
5. Do not move the flash while the power is on.
6. Make sure not to use a softbox near inflammable materials. The heat emitted from the product may cause fire.
7. If force / impact applied, the filament of modeling lamp might be blown.
8. Must be connected to the earthed socket. 
9. When either assembling or disassembling accessories (e.g. snoot, reflector, etc.), turn OFF the modeling lamp and wait for at least 10 minutes before changing and/or replacing the accessories.
10. Do not remove Pyrex Dome during use. It protects users from the damage of lamp by heat. (HD series only)
11. Never open this unit, high voltage inside.
12. No internal serviceable parts.
13. Fomex accepts no responsibility for electric shock  or equipment damage due to unauthorized modification and/or repairs.
14. Keep out of children's reach.

Attention

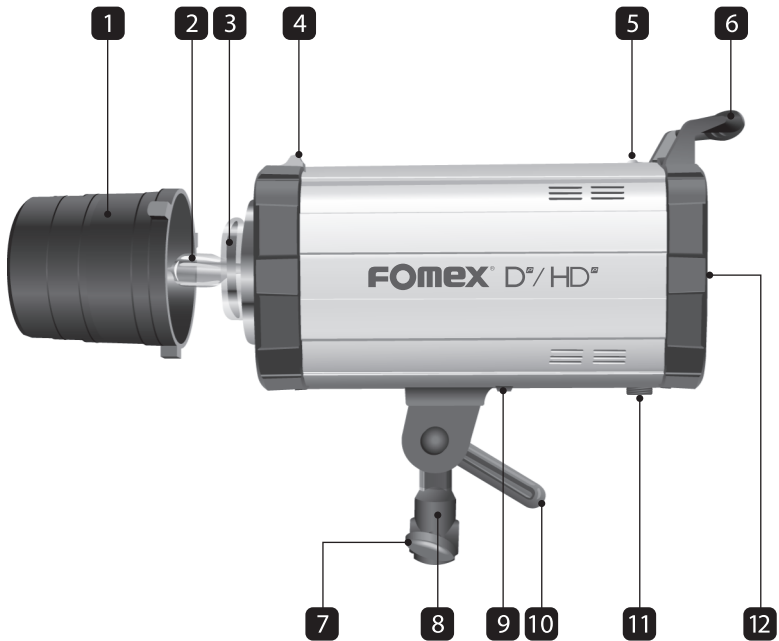
The lamp shall be replaced if it is damaged or deformed from the heat.
Pyrex shall be replaced if it is visibly damaged. (cracks or deep scratches)

D... 0.5m over (symbol)

 Symbol for earthed socket.

 Symbol for electric shock.

Part Names



- | | |
|--|------------------------------------|
| 1. Protection cap | 7. Stand stud joint fastening bolt |
| 2. Modeling(Halogen) lamp | 8. Stand stud joint part |
| 3. Flash tube(Xenon tube) | 9. Prop fastening bolt |
| 4. Locking knob for accessory assembly | 10. Handle for fastening |
| 5. Slave sensor | 11. Wireless control port |
| 6. Lighting grip | 12. Control panel |

Part Names & Functions of Control panel



1. Slave sensor : Synchronize with other lighting.
2. BEEP button : Makes beeping sound when flash is charging or discharging.
3. CELL button : Controls the synchronization with other lightings.
4. MODEL button : Press MODEL button by 3 steps - RED LED ON, GREEN LED ON and LED OFF
5. O.C Signal : Overcharge signal lamp, turns on when overcharged.
6. FND-Digitally display power output.
O.T Display : Over temperature warning, display "E0" on the FND
7. AC input : Socket terminal to connect the power cord.
8. SYNC : Socket terminal for synchro cord.
9. Fuse box : Contains fuse
10. Umbrella holder
11. TEST button : To test or to manually discharge the flash.
12. Modeling lamp control dial : Controls the brightness of modeling lamp.
13. Flash power control dial : Controls the power of the flash.
14. Power switch (ON/OFF)
15. Wireless control port : Only available with Fomex's receiver (Option)

1. The settings, MODEL / BEEP / CELL buttons are OFF and modeling & flash power dials are at minimum.
2. Install the modeling lamp in the flash unit.
3. Check and see if modeling lamp control dial, flash power control dial and power switch are at the default settings, and connect the power cord to input socket terminal.
4. Connect the synchro cord to the synchro socket.
5. Turn ON the power switch.
6. Control the brightness of modeling lamp with modeling lamp control dial and press the MODEL button to turn it ON.
7. Control the power of the flash with flash power control dial.
8. To synchronize with other lighting, press the CELL button to turn it ON.
9. When the power output setting is adjusted from high to low, the TEST button will flicker.
Please discharge the flash by pressing the TEST button once before use
10. When power of flash is adjusted from high to low, beeping sound will continuously ring. Press the TEST button to discharge the flash then the beeping sound will stop.
11. To turn ON/OFF the flash charging sound, press the BEEP button.
12. Press MODEL button by 3 steps - RED LED ON, GREEN LED ON and LED OFF
 - RED LED ON: The brightness of modeling lamp is adjusted by modeling lamp control dial ranged from 0~100%.
 - GREEN LED ON: Proportional setting is initiated. The brightness of modeling lamp is adjusted by flash power control dial variable from f2.2 ~f5.63 .
 - LED OFF: Modeling lamp is off.

Specifications

FOMEX Dp/Dp1 Series

Spec	200	400	600	800	1000
Max Flash Output	200W/s	400W/s	600W/s	800W/s	1000W/s
F-Stop(1m,100iso)	F22.6 (6f-stops)	F32.7 (6f-stops)	F45.5 (6f-stops)	F64.0 (6f-stops)	F64.2 (6f-stops)
Voltage	AC 110V, AC 220V 50/60Hz				
Recycle Time	0.1~0.7sec	0.1~1.0sec	0.1~1.3sec	0.2~1.3sec	0.3~1.7sec
Power Increments in F-stop	1/10 f-stops				
Colour Temperature in °K at Max. Power	5,500K (±150K)				
Ready Charge	LED light / buzzer (Sound ON)				
Power Range Display	Digital (Red)				
Modeling Lamp	Halogen 250W (E 11base, screw type)				
Modeling Lamp Control	Volume controller (VR)				
Modeling Lamp Mode	Proportional / Max / OFF				
Flash Trigger	Photo cell, Cell button, Synchro cord				
Sync Voltage	DC 8V				
Over Temperature Warning	Display (E0) on the FND / Warning Buzzer				
Over Charge Warning	Red LED				
Model, Cell, Beep, Test	ON/OFF				
Cooling System	DC Cooling fan				
Dimension mm (W x L x H)	296x140 x220mm	370x140x220mm		430x140x220mm	
Weight	2.3kg/5lbs	2.8kg/6.1lbs	3.0kg/6.6lbs	3.4kg/7.5lbs	3.6kg/8lbs

The listed values may differ due to tolerances in components and/or measuring instruments.
 Technical datas are subjected to change without prior notice.

Specifications

FOMEX HDp/HDp1 Series

Spec	200	400	600	800	1000
Max Flash Output	200W/s	400W/s	600W/s	800W/s	1000W/s
F-Stop(1m,100iso)	F22.6 (6f-stops)	F32.7 (6f-stops)	F45.5 (6f-stops)	F64.0 (6f-stops)	F64.2 (6f-stops)
Voltage	AC 110V, AC 220V 50/60Hz				
Recycle Time	0.1~0.7sec	0.1~1.0sec	0.1~1.3sec	0.2~1.3sec	0.3~1.7sec
Power Increments in F-stop	1/10 f-stops				
Colour Temperature in °K at Max. Power	5,500K (±150K)				
Ready Charge	LED light / buzzer (Sound ON)				
Power Range Display	Digital (Red)				
Modeling Lamp	Halogen 650W (GX 6.35base, pin type)				
Modeling Lamp Control	Volume controller (VR)				
Modeling Lamp Mode	Proportional / Max / OFF				
Flash Trigger	Photo cell, Cell button, Synchro cord				
Sync Voltage	DC 8V				
Over Temperature Warning	Display (E0) on the FND / Warning Buzzer				
Over Charge Warning	Red LED				
Model, Cell, Beep, Test	ON/OFF				
Cooling System	DC Cooling fan				
Dimension mm (W x L x H)	296x140 x220mm	370x140x220mm		430x140x220mm	
Weight	2.3kg/5lbs	2.8kg/6.1lbs	3.0kg/6.6lbs	3.4kg/7.5lbs	3.6kg/8lbs

The listed values may differ due to tolerances in components and/or measuring instruments.
 Technical datas are subjected to change without prior notice.

A. How to replace a modeling lamp (base: E-11, screw type)

1. Turn OFF the power, and unplug the power cord from the AC socket.
2. Turn it counterclockwise and remove the modeling lamp from the light body.
3. Turn the new modeling lamp clockwise to install
(Please make sure your hands are dry.)
4. Be careful not to allow any fingerprint or dust stain on the lamp.
5. When foreign substance is present, clean with a soft cloth.

A. How to replace a modeling lamp (base: GX-6.35, pin type)

1. Allow the modeling lamp to cool down enough,
turn it counterclockwise and remove.
2. While assembling, turn it clockwise and then reassemble it.
3. Be careful not to allow any fingerprint or dust stains on lamp.
4. Clean with a soft cloth applied with alcohol after replace.

B. How to replace a fuse

1. Turn OFF the power, and unplug the power cord from the AC socket.
2. Use a (-) screwdriver, and open the fuse box to pull out the fuse.
3. Check if the fuse is blown, then replace it with the spare
fuse placed inside the fuse box.

C. Maintenance

- Be sure not to let any dust or other, stain on the flash tube and /or modeling lamp.
- Wipe off any dust or foreign matter in the tube/lamp with a soft cloth. it may shorten the lifespan and deteriorate the color temperature.
- After 30 times of continuous shooting at full power, the flash should be cooled down for about 3 minutes.
- The flash can be used continuously at full power for 10 minutes, and then it should be cooled down for one minute.

Caution - HDp/HDp1 series

1. Do not touch the halogen lamp with bare hands to avoid the risk of damage caused by fingerprints or fine dirt. Please handle it with a dry cloth or glove.
2. Be careful of burning as high heat occurs during use. Please check whether the heat has sufficiently been decreased when you install or uninstall softbox or reflector.
3. Remove the white inner diffuser when you use the Softbox to keep the distance from more than 25cm between the lamp and the white outer diffuser.
4. Do not use the product as a top lighting by tilting more than 70 degrees. It will generate heat of the product and may affect safety.

Troubleshooting

Status	Expected cause	Check points
Slave is not working	CELL button is turned OFF.	Check whether CELL button is turned ON.
	Flash light doesn't reach the slave sensor.	Change the directionality of the lighting unit. Check if it's still not working.
	Strong external light is directed at the slave sensor.	Block direct ray of light or strong light from the slave sensor.
Synchro cord doesn't work.	Foreign material presents on the synchro jack, it causes a contact defect.	Check the synchro jack for any presents of foreign material, and clean it with a soft cloth.
	Synchro cord is disconnected or failed to function after cleaning.	Replace synchro cord. (Press the TEST button to check)
There's no reaction at all.	Power Supply is interrupted	Check if the power cord is properly connected. Check if the contact of socket is loose. Check if the fuse is blown.
Other trouble shoots	No internal serviceable parts. Fomex accepts no responsibility for electric shock or equipment damage. due to unauthorized modification and/or repairs. Please contact your local dealer or contact FOMEX directly.	

Attention

When input voltage is lower than the rated voltage, the flash may not produce its maximum output. This is not a malfunction, please check the input voltage.

D^P / HD^P -Series

HYUNDAI FOMEX CO.,LTD.

www.fomex.com

Phone : +82 2 545 0004 Fax : +82 2 3444 9399
info@fomex.com fomex@fomex.com