

# ***Studio Flash***

---

Operating instructions

**E / G**

200/400/600/800/1000/G600/G800

**CE**

Thank you for choosing FOMEX lighting systems





Please read this manual before operating

## Contents


- Before use
- Part names
- Part names and function of control panel
- Operating procedure
- Prime feature (G600, G800 only)
- Specification
- Replacement and maintenance
- Troubleshooting

## Before use


1. Check the input voltage.
2. Disconnect this unit from the power supply before changing a bulb or a fuse.  
Use the specified fuse only.
3. Do not use in humid or hazardous places or near inflammable materials.
4. For safety, please power OFF when not in use.
5. Do not move the flash while the power is on.
6. Make sure not to use a softbox near inflammable materials.  
The heat emitted from the product may cause fire.
7. If force / impact applied, the filament of modeling lamp might be blown.
8. Must be connected to the earthed socket. 
9. When either assembling or disassembling accessories (e.g. snoot, reflector, etc.),  
turn OFF the modeling lamp and wait for at least 10 minutes before changing  
and/or replacing the accessories.
10. Never open this unit, high voltage inside.
11. No internal serviceable parts.
12. Fomex accepts no responsibility for electric shock  or equipment damage due  
to unauthorized modification and/or repairs.
13. Keep out of children's reach.

### **\*Attention\***

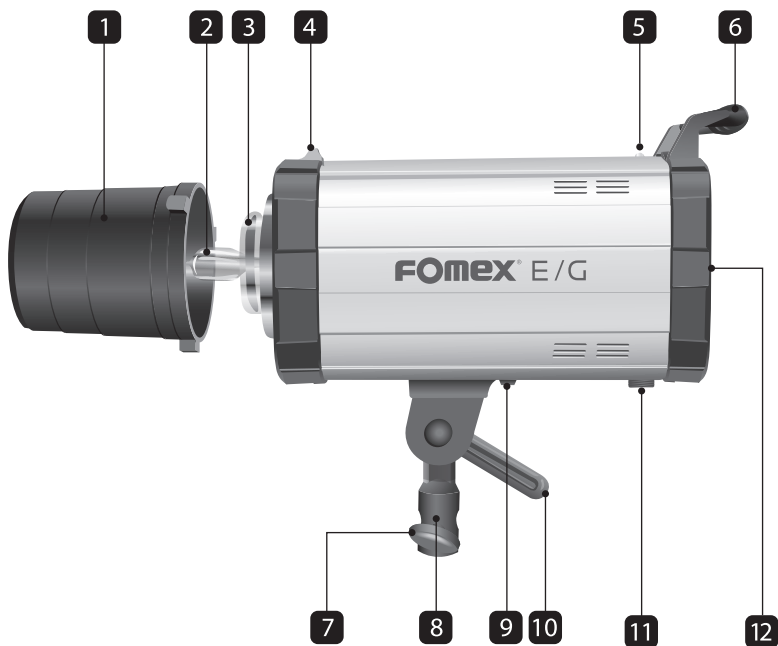
The lamp shall be replaced if it is damaged or deformed from the heat.  
Pyrex shall be replaced if it is visibly damaged. (cracks or deep scratches)

 0.5m over (symbol)

 Symbol for earthed socket.

 Symbol for electric shock.

## Part Names



1. Protection cap
2. Modeling (Halogen) lamp
3. Flash tube (Xenon Tube)
4. Locking knob for accessory assembly
5. Slave sensor
6. Lighting grip

7. Stand stud joint fastening bolt
8. Stand stud joint part
9. Fastening bolt
10. Handle for fastening
11. Wireless control port
12. Control panel

## Part Names & Functions of Control panel



1. Slave sensor : Synchronize with other lighting.
2. BEEP button : Makes beeping sound when flash is charging or discharging.
3. CELL button : Controls the synchronization with other lightings.
4. MODEL button : Modeling lamp ON.OFF button
5. O.C Signal : Overcharge signal lamp, turns on when overcharged.
6. FND-Digitally display power output.  
O.T Display : Over temperature warning, display "E0" on the FND
7. AC input : Socket terminal to connect the power cord.
8. SYNC : Socket terminal for synchro cord.
9. Fuse box : Contains fuse
10. Umbrella holder
11. TEST button : To test or to manually discharge the flash.
12. Modeling lamp control dial : Controls the brightness of modeling lamp.
13. Flash power control dial : Controls the power of the flash.
14. Power switch (ON/OFF)
15. Wireless control port : Only available with Fomex's receiver (Option)

## Operating procedures - E/G series

1. The settings, MODEL / BEEP / CELL buttons are OFF and modeling & flash power dials are at minimum.
2. Install the modeling lamp to the flash unit.
3. Check and see if modeling lamp control dial, flash power control dial and power switch are at the default settings and connect the power cord to input socket terminal.
4. Connect the synchro cord to the synchro socket.
5. Turn ON the power switch.
6. Control the brightness of modeling lamp with modeling lamp control dial and press the MODEL button to turn it ON.
7. Control the power of the flash with flash power control dial.
8. To synchronize with other lighting, press the CELL button to turn it ON.
9. When the power output setting is adjusted from high to low, the TEST button will flicker.  
Please discharge the flash by pressing the TEST button once before use
10. When power of flash is adjusted from high to low, beeping sound will continuously ring. Press the TEST button to discharge the flash then the beeping sound will stop.
11. To turn ON/OFF the flash charging sound, press the BEEP button.

## Prime feature - G series

Don't miss any moment!

G-Series, installed with IGBT, syncs perfectly with DSLR for High speed photography.

1. Connect the DSLR the to the lighting unit by wireless (radio slave) or wire (sync cable.)
2. Adjust the shutter speed on the camera of your choosing.
3. Press the shutter button on the camera.
4. Observe the perfect sync of flashes with every shutter.

\* DSLR must have a High-Speed mode in order to use this feature.

## Specifications

FOMEX E/G Series							
Spec	E200	E400	E600	E800	E1000	G600	G800
Max Flash Output	200W/s	400W/s	600W/s	800W/s	1000W/s	600W/s	800W/s
F-Stop(1m,100iso)	F22.6 (6f-stops)	F32.7 (6f-stops)	F45.5 (6f-stops)	F64.0 (6f-stops)	F64.2 (6f-stops)	F45.6 (6f-stops)	F45.8 (6f-stops)
Voltage	AC 110V, AC 220V 50/60Hz						
Recycle Time	0.1~0.7sec	0.1~1.0sec	0.1~1.3sec	0.2~1.3sec	0.3~1.7sec	Max. 0.6sec	Max. 0.8sec
Fuse Capacity	10A						
Duration Time						1/2450 ~ 1/10,000 sec(t0.5)	
Power Increments in F-stop	1/10 f-stops						
Colour Temperature in °K at Max. Power	5,500K (± 150K)						
Ready Charge	LED light / buzzer (sound ON)						
Power Range Display	Digital (Red)					Digital (Green)	
Modeling Lamp	Halogen 250W (E 11base, screw type)						
Modeling Lamp Control	Volume controller (VR), model (ON/OFF)						
Flash Trigger	Photo cell, synchro cord, manual ready button						
Sync Voltage	DC 8V						
Over Temperature warning	Display (E0) on the FND / Warning Buzzer						
Over Charge Warning	Red LED						
Model, Cell, Beep, Test	ON/OFF						
Cooling System	DC Cooling fan						
Dimension mm (W x L x H)	296x140x 220mm	370x140x220mm		430x140x220mm		390x140x 220mm	450x140x 220mm
Weight	2.3kg/5lbs	2.8kg/6.1lbs	3.0kg/6.6lbs	3.4kg/7.5lbs	3.6kg/8lbs	3.2kg/7.1lbs	3.4kg/7.5lbs

The listed values may differ due to tolerances in components and/or measuring instruments.  
Technical datas are subjected to change without prior notice.

## Replacement and maintenance

### A. To replace a modeling lamp (base: E-11, screw type)

1. Turn OFF the power, and unplug the power cord from the AC socket.
2. Turn it counterclockwise and remove the modeling lamp from the light body.
3. Turn the new modeling lamp clockwise to install  
(Please make sure your hands are dry.)
4. Be careful not to allow any fingerprint or dust stain on the lamp.
5. When foreign substance is present, clean with a soft cloth.

### B. To replace a fuse

1. Turn OFF the power, and unplug the power cord from the AC socket.
2. Use a (-) screwdriver, and open the fuse box to pull out the fuse.
3. Check if the fuse is blown, then replace it with the spare fuse placed inside the fuse box.

### C. Maintenance

- Be sure not to let any dust or other, stain on the flash tube and / or modeling lamp
- Wipe off any dust or foreign matter in the tube/lamp with a soft cloth.  
it may shorten the lifespan and deteriorate the color temperature.

#### **\*Attention\***

When input voltage is lower than the rated voltage, the flash may not produce its maximum output. This is not a malfunction, please check the input voltage.



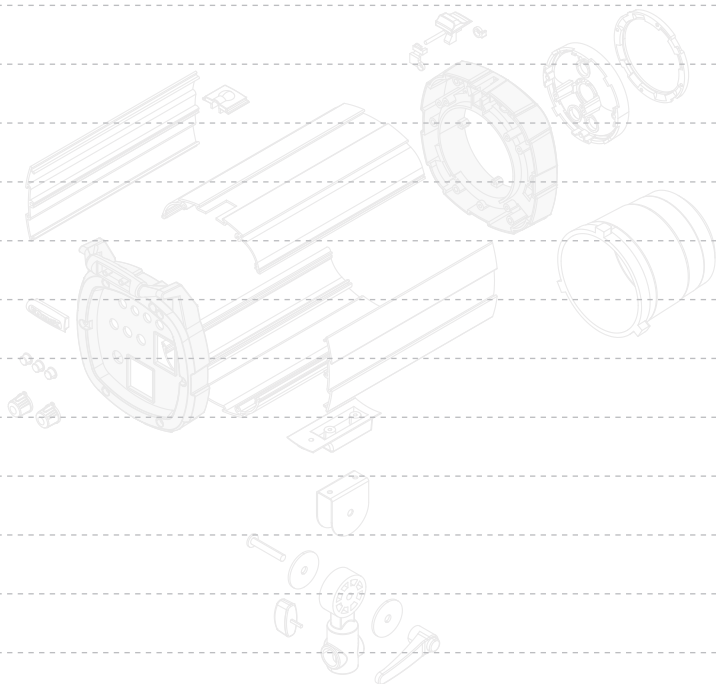
## Troubleshooting

Status	Expected cause	Check points
Slave is not working	CELL button is turned OFF.	Check whether CELL button is turned ON.
	Flash light doesn't reach the slave sensor.	Change the directionality of the lighting unit. Check if it's still not working.
	Strong external light is directed at the slave sensor.	Block direct ray of light or strong light from the slave sensor.
Synchro cord doesn't work.	Foreign material presents on the synchro jack, it causes a contact defect.	Check the synchro jack for any presents of foreign material, and clean it with a soft cloth.
	Synchro cord is disconnected or failed to function after cleaning.	Replace synchro cord. (Press the TEST button to check)
There's no reaction at all.	Power Supply is interrupted	Check if the power cord is properly connected. Check if the contact of socket is loose. Check if the fuse is blown.
Other trouble shoots	No internal serviceable parts. Fomex accepts no responsibility for electric shock or equipment damage. due to unauthorized modification and/or repairs. Please contact your local dealer or contact FOMEX directly.	

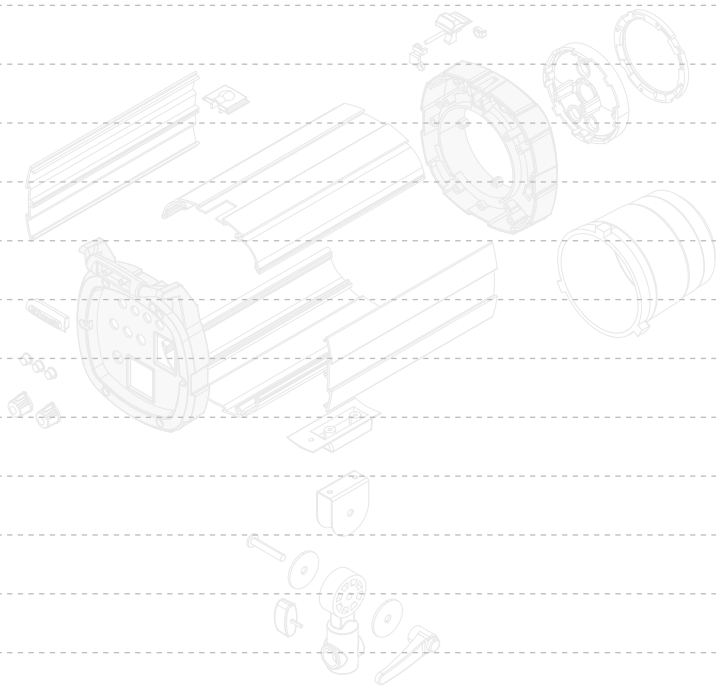
### \*Caution\*

1. After 30 times continuous shooting at full power, the flash should be cooled down for about 3 minutes.
2. The flash can be used continuously at full power for 10 minutes, and then it should be cooled down for one minute.
3. Do not fire the flash near the eyes.

# Memo



# Memo



# E / G-Series

**HYUNDAI FOMEX CO.,LTD.**

[www.fomex.com](http://www.fomex.com)

TEL : +82 2 545 0004 FAX : +82 2 3444 9399

[info@fomex.com](mailto:info@fomex.com) [fomex@fomex.com](mailto:fomex@fomex.com)